

IV-CAM-I12-B

Crestron 1 Beyond i12 Intelligent PTZ Camera, 12x Optical Zoom, Moon Gray



- *Visual AI for Group Framing or Presenter Tracking*
- *High quality video supporting resolutions up to 1080p60*
- *Automatically pans, tilts, and zooms with dual camera technology, no external computer required*
- *Supports 12x optical zoom for tracking distances up to 25 ft from participants*
- *Connects directly to a codec or recording/streaming device*
- *Single Ethernet connection provides power (PoE), viewing, and control*
- *Easily configured with Crestron 1 Beyond Camera Manager 2 software*
- *Compatible with Automate VX multi-camera systems*

The [IV-CAM-I12-B](#) is a high quality intelligent PTZ camera that uses visual AI to automatically track or frame meeting participants. The IV-CAM-I12-B is ideal for group framing meeting participants in medium to large conference rooms, and presenter tracking in medium sized training rooms and classrooms. The IV-CAM-I12-B has a dual camera design; the wide-angle reference camera uses visual AI to direct the PTZ camera. All visual AI is built into the camera – no external system is needed.

Group Framing Technology

Group framing utilizes visual AI to frame multiple participants smoothly in medium to large conference rooms. The wide-angle reference camera continuously detects when participants enter or leave the camera shot, and the PTZ camera reframes the shot automatically to fit participants.

Presenter Tracking Capability

Visual AI is used to smoothly track a single moving presenter as they move through a designated presentation area. It is easily configurable to prevent tracking other subjects or displays by using Blocking Zones. Recommended tracking range is 10 to 25 ft from the presentation area.

Multi-Camera Switching Capability

Two IV-CAM-I12-B cameras can be set up to utilize multi-camera switching. One camera can be designated as a group framing camera, and the other can be used as a presenter tracking camera. This feature allows for seamless switching between the group framing camera and the presenter tracking camera when someone enters the presentation zone - no additional hardware or software required.

Automate VX Compatible

The IV-CAM-I12-B camera is compatible with Automate VX multi-camera speaker tracking systems. Use the IV-CAM-I12-B for close up shots of active speaking participants, and for presenter tracking in a designated area within 25 ft.

Certified for Microsoft Teams® Conferencing Software

The IV-CAM-I12-B camera is certified for Microsoft Teams® conferencing software. Use the rear USB port and connect a USB cable to a compatible codec for conferencing software use.

High Quality Video

A high quality Sony® CMOS sensor enables the camera to output up to 1080p60 resolution video.

Networked Power, Viewing, and Control

Connect a single Ethernet cable to power (PoE), view, set up, and control the IV-CAM-I12-B camera.

Mounting Options (Sold Separately)

Standard mounting holes make it easy to mount the camera. The IV-CAM-I12-B is compatible with the [IV-CAMA-UMB](#) Universal Mounting Bracket, [IVA-WMT-BRKT-1B](#) Wall Mount Bracket, and [IVA-CMT-BRKT-1B](#) J-Mount Ceiling Bracket.

Specifications

Optics

Image Sensor	1/2.8 Sony® CMOS Sensor
Optical Zoom	12x
Focal Length	F=4.1-49.2 mm
Field of View (PTZ)	Horizontal: 67.68°
Field of View (Reference)	Horizontal: 104° (changes based on camera mode)
Shutter Speed	1/50-1/10,000 sec
Iris	F1.8-F2.68

IV-CAM-I12-B

Crestron 1 Beyond i12 Intelligent PTZ Camera, 12x Optical Zoom, Moon Gray

Minimum Illumination	2 lux
Pan/Tilt Angle	Pan: -130° — 130°, Tilt: -30° — 90°
Pan/Tilt Speed	Pan: 0.2° — 90°/s, Tilt: 0.2° — 70°/s
White Balance	Auto, Indoor, One Push, Manual
Exposure	Auto, Manual, Shutter Priority, Iris Priority, Brightness Priority

Camera Processing

Intelligent Video Functions	Group Framing, Presenter Tracking, Multi-Camera Switching
Recommended Range (Group Framing)	5-25 ft
Recommended Range (Presenter Tracking)	15-25 ft
Presets	Up to 256 configurable presets

Video

Video Outputs	3G-SDI, HDMI®, USB, ONVIF, RTSP, UVC
Signal Formats	SDI or HDMI: 1080p60/59.94/50/30/29.94/25, 720p60/59.94/50 USB: 1080p30/25, 720p30/25, 360p30

Communications

USB	USB-B 3.0
Ethernet	RJ-45, 100Mbps
Serial	RS-232, RS-485
Control Protocol	VISCA/TCP, VISCA/UDP, PELCO-D, PELCO-P, ONVIF
IR Receiver	IR Camera Remote (IV-CAMA-REMOTE)

Management Client

Software	Crestron 1 Beyond Camera Manager 2 (Windows® OS computer required)
-----------------	--

Connectors

COM	(1) 5-pin 3.5 mm detachable terminal block; Bidirectional RS-232/485 port
PoE	(1) 8-pin RJ-45 connector, female
3G-SDI OUT	(1) BNC connector, female; 3G-SDI digital video output
HDMI OUT	(1) HDMI Type A connector; HDMI digital video output
USB	(1) USB Type B connector, female; USB 3.0 device port for video and control
12VDC 2.5A	(1) 3.3 mm DC power connector; 12VDC power input; PW-1225DU power pack sold separately

Controls and Indicators

Status Bar	(1) Multisegment tricolor LED bargraph; Half green LED bargraph indicates live camera feed; Full green LED bargraph indicates camera tracking; Full amber LED bargraph indicates firmware upgrade; Half red LED bargraph indicates Privacy Mode
RESET	(1) Recessed push button for hardware reset

Power

Power Source Options	Ethernet (PoE), Power Pack (PW-1225DU)
Power over Ethernet	IEEE 802.3af Class 3 Powered Device
Power over Ethernet Rating	15.4 W

NOTE: To comply with the European Directive (CE), shielded CAT5e cable must be used as a minimum for PoE power.

Power Pack (sold separately)	12VDC, 2.5A, 50/60 Hz
-------------------------------------	-----------------------

Environmental

Temperature	32° to 104°F (0° to 40°C)
Humidity	10% to 90% RH (noncondensing)

IV-CAM-I12-B

Crestron 1 Beyond i12 Intelligent PTZ Camera, 12x Optical Zoom, Moon Gray

Construction

Mounting Options	IV-CAMA-UMB 1 Beyond Universal Mounting Bracket (sold separately), IVA-WMT-BRKT-1B 1 Beyond Wall Mount Bracket (sold separately), IVA-CMT-BRKTJ-1B 1 Beyond J-Mount Bracket (sold separately)
Mounting Thread	1/4 in. threaded mount hole

Dimensions

Height	6.55 in. (166 mm)
Width	8.89 in. (226 mm)
Depth	5.86 in. (149 mm)

Weight

4.11 lb (1.86 kg)

Compliance

Regulatory Model: M202306001

FCC Part 15 Class B, IC Class B, CE, Intertek® Listed for US and Canada

Models

IV-CAM-I12-B

Crestron 1 Beyond i12 Intelligent PTZ Camera, 12x Optical Zoom, Moon Gray

Included Accessories

IV-CAMA-REMOTE

Crestron 1 Beyond IR Camera Remote

Available Accessories

For a list of available accessories, visit the [IV-CAM-I12-B](#) product page.

This product may be purchased from select authorized Crestron dealers and distributors. To find a dealer or distributor, please contact the Crestron sales representative for your area. A list of sales representatives is available online at www.crestron.com/How-To-Buy/Find-a-Representative or contact us for additional information by visiting www.crestron.com/contact/our-locations for your local contact.

The original language version of this document is U.S. English. All other languages are a translation of the original document.

The product warranty can be found at www.crestron.com/warranty.

The specific patents that cover Crestron products are listed online at www.crestron.com/legal/patents.

Certain Crestron products contain open source software. For specific information, please visit www.crestron.com/opensource.

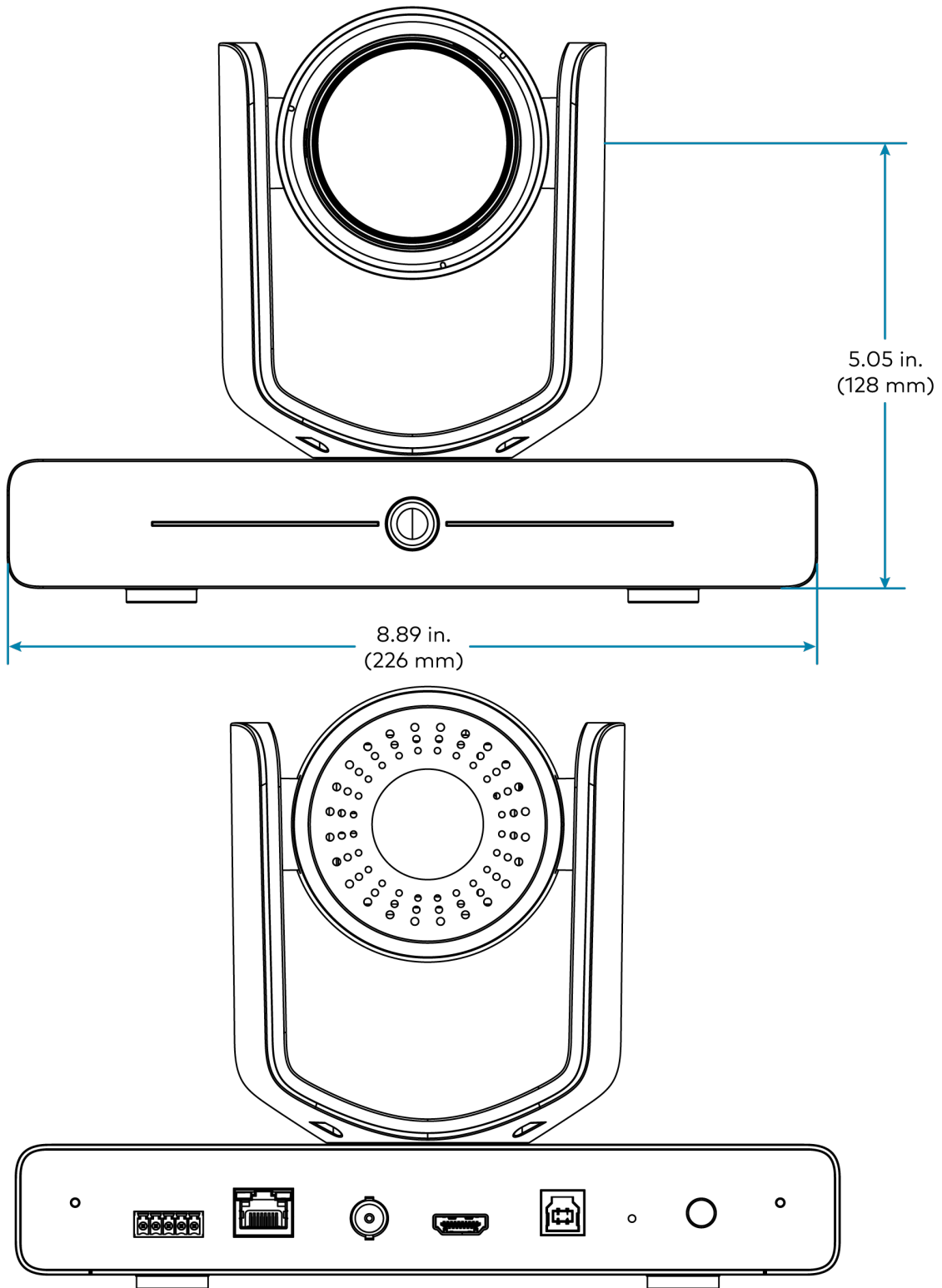
Crestron and the Crestron logo are either trademarks or registered trademarks of Crestron Electronics, Inc. in the United States and/or other countries. HDMI is either a trademark or a registered trademark of HDMI Licensing LLC in the United States and/or other countries. Intertek and the Intertek logo are either trademarks or registered trademarks of Intertek Group in the United States and/or other countries. Microsoft Teams is either a trademark or a registered trademark of Microsoft Corporation in the United States and/or other countries. NDI is either a trademark or a registered trademark of NewTek, Inc. in the United States and/or other countries. Windows is either a trademark or a registered trademark of Microsoft Corporation in the United States and/or other countries. Zoom Rooms is either a trademark or registered trademark of Zoom Video Communications, Inc. in the United States and/or other countries. Other trademarks, registered trademarks, and trade names may be used in this document to refer to either the entities claiming the marks and names or their products. Crestron disclaims any proprietary interest in the marks and names of others. Crestron is not responsible for errors in typography or photography.

Specifications are subject to change without notice.

©2024 Crestron Electronics, Inc.

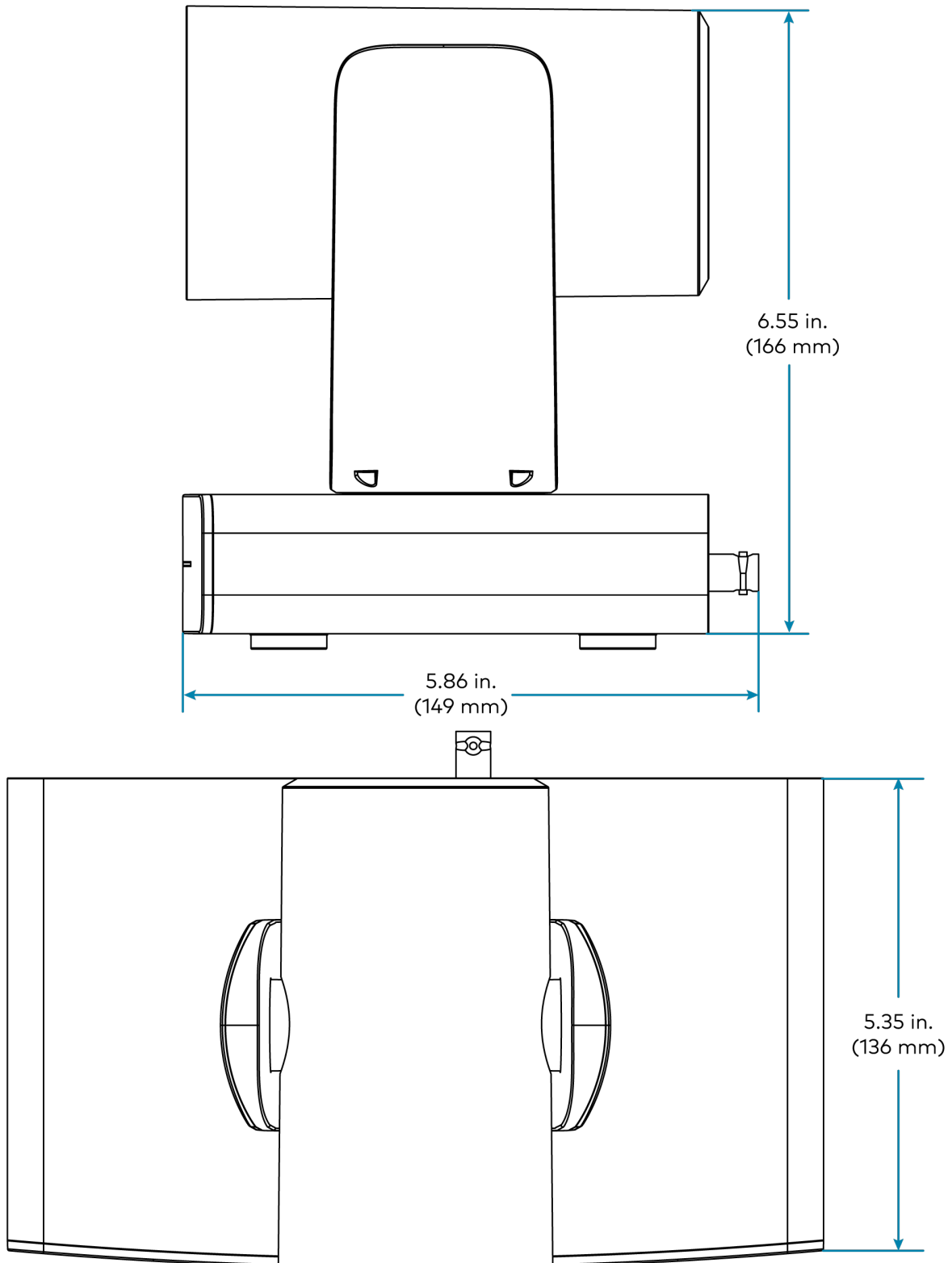
IV-CAM-I12-B

Crestron 1 Beyond i12 Intelligent PTZ Camera, 12x Optical Zoom, Moon Gray



IV-CAM-I12-B

Crestron 1 Beyond i12 Intelligent PTZ Camera, 12x Optical Zoom, Moon Gray



IV-CAM-I12-B

Crestron 1 Beyond i12 Intelligent PTZ Camera, 12x Optical Zoom, Moon Gray

